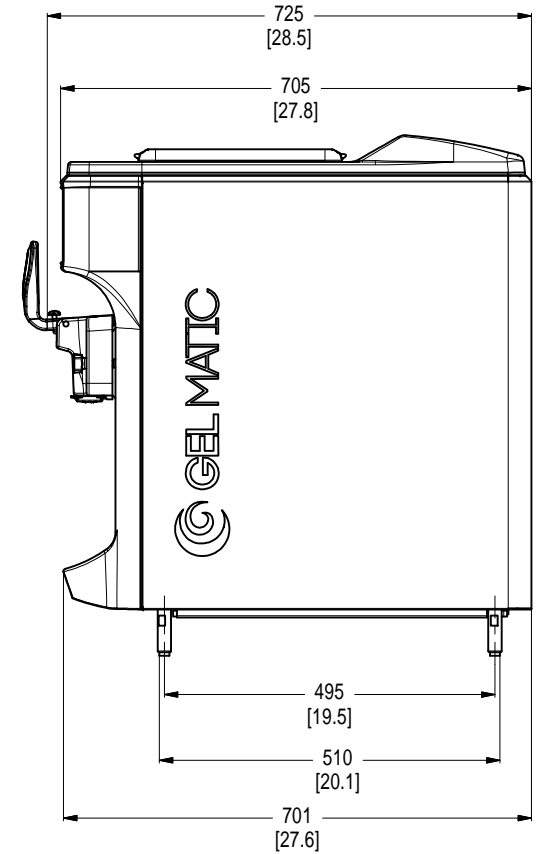
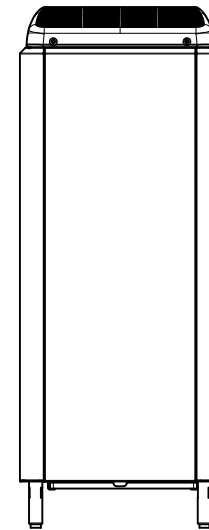


STANDARD AIR INPUT



STANDARD AIR OUTPUT

